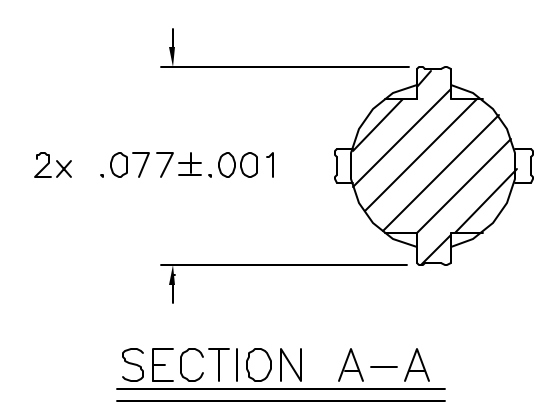
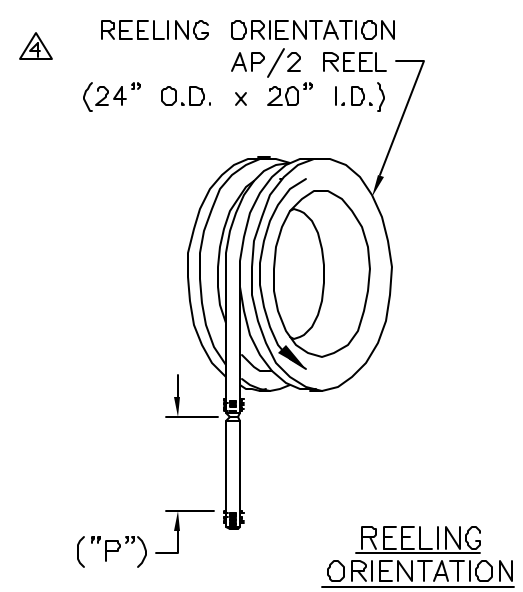
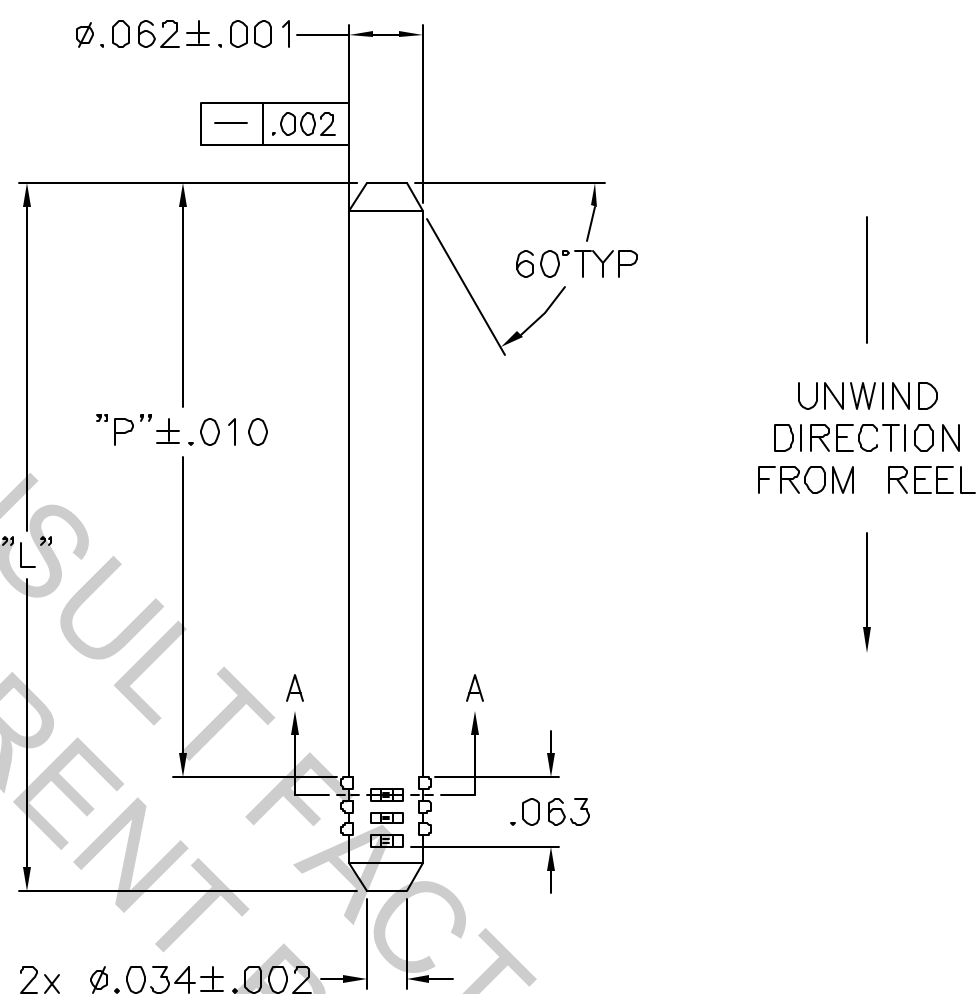
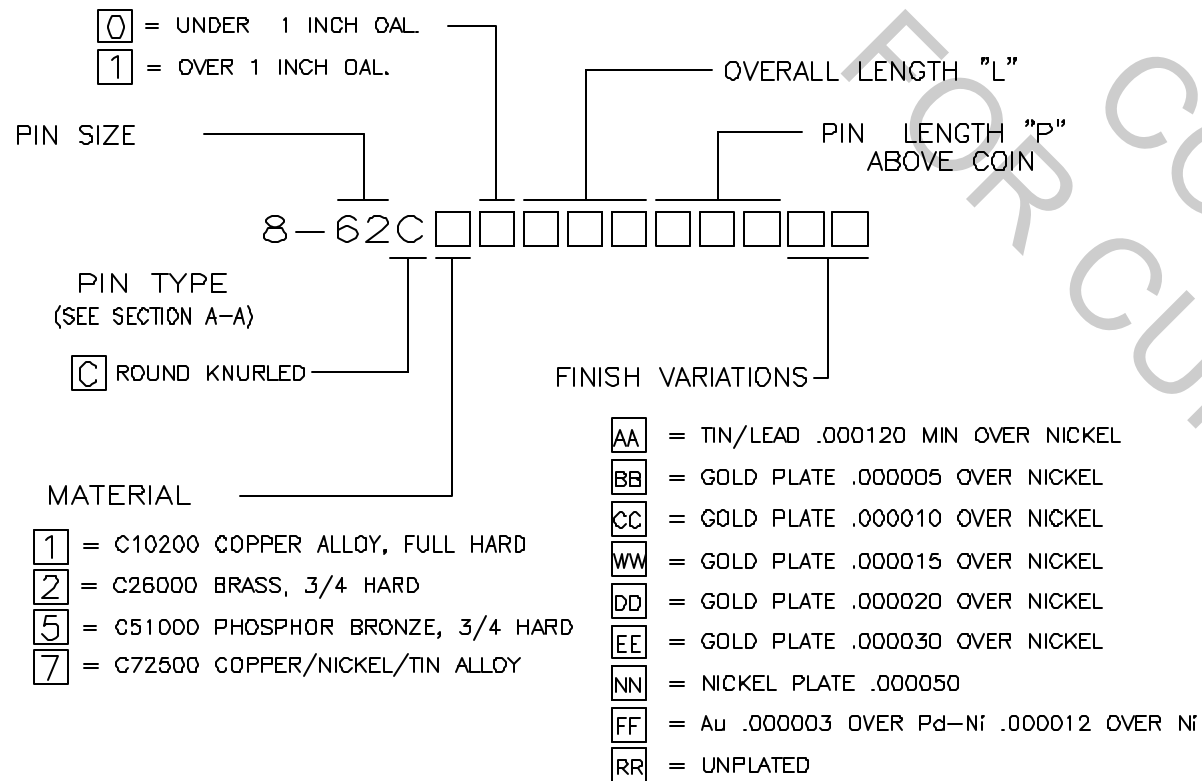


REV	REVISION RECORD	ECN	BY	APVD	DATE
A	INITIAL RELEASE PER EWR 980598	16044	CD	JB	1-13-89
B	UPDATE PER COMP. ENG.	502865	RJB	RJB	8-15-03

NOTE: UNLESS OTHERWISE SPECIFIED

1. INTERPRET DRAWING IN ACCORDANCE WITH ANSI Y14.5-1982.
 2. ALL DIMENSIONS APPLY AFTER PLATING.
 3. PITCH CONSISTENCY TO BE WITHIN ± 0.005 WHEN THE OAL OF 5 STRIPS, (3.00") LONG ARE MEASURED.
- ▲ PART TO BE SUPPLIED ON A CONTINUOUS REEL

PART NUMBER BREAKDOWN



CUSTOMER DRAWING

This drawing and the information set forth herein are the property of Autossplice, Inc. and are to be held in trust and confidence. Publication, duplication, disclosure, or use for any purpose not expressly authorized in writing by Autossplice, Inc. is prohibited.

TOLERANCES UNLESS OTHERWISE SPECIFIED DIMS IN INCHES		AUTOSPLICE INC. 10121 Barnes Canyon Road San Diego, California 92121 (619) 638-0077	
DECIMAL: XX = $\pm .01$	XXX = $\pm .005$	THIRD ANGLE PROJECTION	DATE 1-04-99
ANGULAR: $\pm 3'$		DRAWN BY C. DANG	DATE 1-05-99
◇ DENOTES SPECIAL CHARACTERISTIC		APPROVED BY BIANCA	
TITLE AUTOPIN/2 DETAIL PART DRAWING			
SIZE C	FIGM NO. 0AE89	DRAWING NUMBER C8-62C	REV. B
SCALE: NONE		SHEET 1 OF 1	